

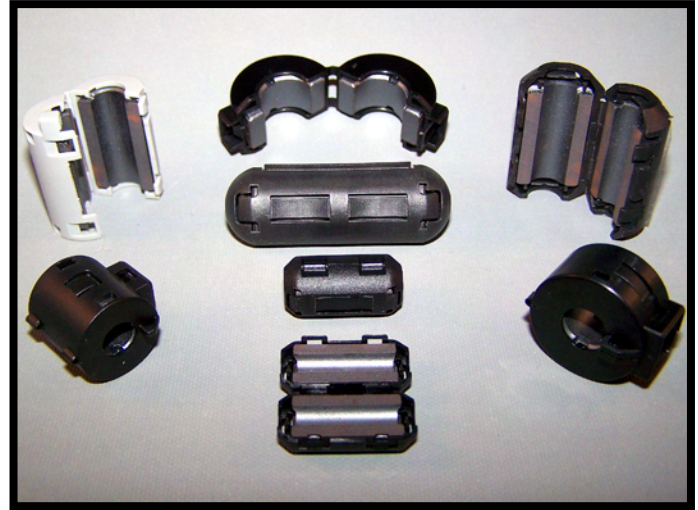
Circular Split Ferrites for Round Cables (MRC Series)

Product Summary

Easy to use and practical 850-Perm Nickel Zinc Ferrite parts designed to attenuate and suppress unwanted broadband RF Noise with no loss of power or signal strength.

Product Application

Installed before or after assembly, this series is designed to fit cables up to 1-inch O.D. for a single pass. All 14 parts in this series will provide suppression from 1MHz through 1GHz with the highest attenuation above 100MHz, peaks are noted in data table. This product will also work for multiple cables and wiring runs through the same core. Each cable will be equally affected by the impedance of the ferrite core. Some products within this series (noted as "bullet") have smooth rounded edges and smooth latches allowing use as an alternative to over-molded parts. These parts have a thinner longer profile which allows for greater impedance.



Product Technical Data

Figure	P/N	A	B	C	D	E	Impedance In OHMS		
							25 MHz	100 MHz	Peak
1	MRC-10 x 20 x 5	13 mm	12 mm	5 mm	25.5 mm	2.5 mm	Z ₁ = 93	Z ₂ = 158	380 Ohm @ 400 MHz
2	MRC-12 x 15 x 7	14 mm	15.5 mm	7 mm	18 mm	22 mm	Z ₁ = 60	Z ₂ = 117	590 Ohm @ 400 MHz
4	MRC-16 x 13 x 8	19.5 mm	23 mm	8 mm	17 mm	23 mm	Z ₁ = 60	Z ₂ = 120	400 Ohm @ 400 MHz
4	MRC-16 x 16 x 8	19.2 mm	23.4 mm	8.2 mm	20 mm	26.1 mm	Z ₁ = 75	Z ₂ = 160	400 Ohm @ 400 MHz
5	MRC-16 x 28 x 9-B	16 mm	7.7 mm	9 mm	28.2 mm	N/A	Z ₁ = 120	Z ₂ = 160	325 Ohm @ 350 MHz
2	MRC-16 x 28 x 9	19.5 mm	20 mm	9.5 mm	31 mm	35 mm	Z ₁ = 120	Z ₂ = 190	325 Ohm @ 350 MHz
4	MRC-20.5 x 10 x 10.2	24.5 mm	28.5 mm	10.2 mm	13.5 mm	20 mm	Z ₁ = 50	Z ₂ = 105	650 Ohm @ 400 MHz
4	MRC-24 x 14 x 11.5	28 mm	31.5 mm	11.5 mm	18 mm	24 mm	Z ₁ = 70	Z ₂ = 140	400 Ohm @ 400 MHz
4	MRC-25 x 12 x 15	29 mm	33 mm	15 mm	15.5 mm	21.5 mm	Z ₁ = 45	Z ₂ = 100	610 Ohm @ 500 MHz

Circular Split Ferrites for Round Cables (MRC Series), Cont.

Product Technical Data

Figure	P/N	A	B	C	D	E	Impedance In OHMS		
							25 MHz	100 MHz	Peak
2	MRC-26 x 30 x 13	30.75 mm	31 m/m	13 m/m	34 m/m	39 m/m	Z ₁ = 150	Z ₂ = 240	220 Ohm @ 300 MHz
5	MRC-42.9 x 15.2 x 5.3	14.7mm	7.3mm	5.35mm	42.9mm	N/A	Z ₁ = 111	Z ₂ = 277	449 Ohm @ 300 MHz
5	MRC-53.2 x 19.1 x 4.4	18.75mm	9.3mm	5.0mm	53.2mm	N/A	Z ₁ = 261	Z ₂ = 575	688 Ohm @ 300 MHz
5	MRC-52.7 x 19.1 x 6.4	18.75mm	9.3mm	6.75mm	52.7mm	N/A	Z ₁ = 180	Z ₂ = 400	560 Ohm @ 300 MHz
5	MRC-56.64 x 45 x 25.4	51.31mm	25.65mm	25.4mm	48.34mm	N/A	Z ₁ = 187	Z ₂ = 425	600 Ohm @ 500 MHz

Figure 1

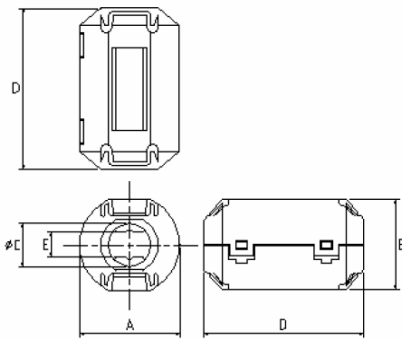


Figure 2

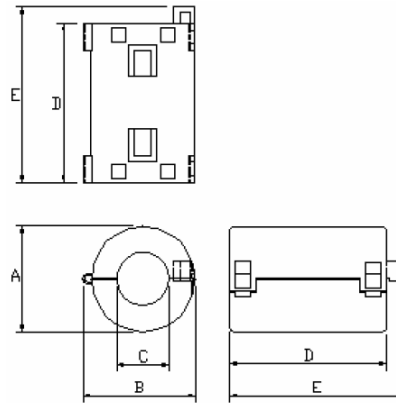


Figure 3

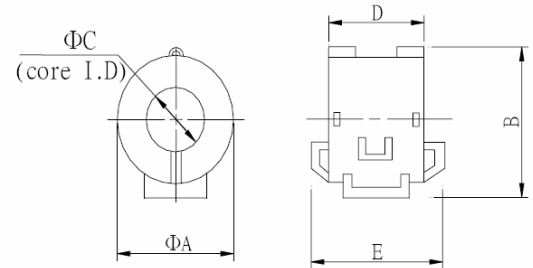


Figure 4

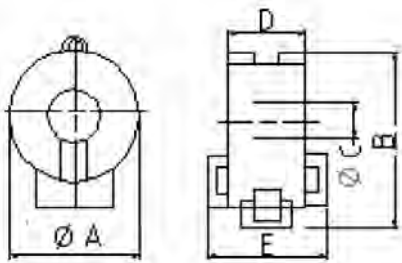
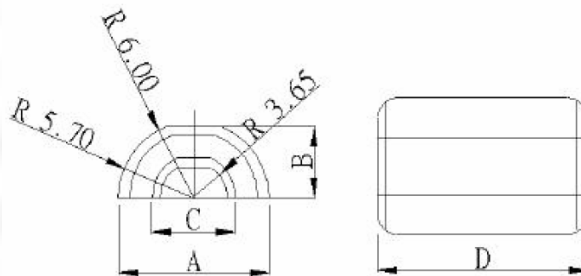
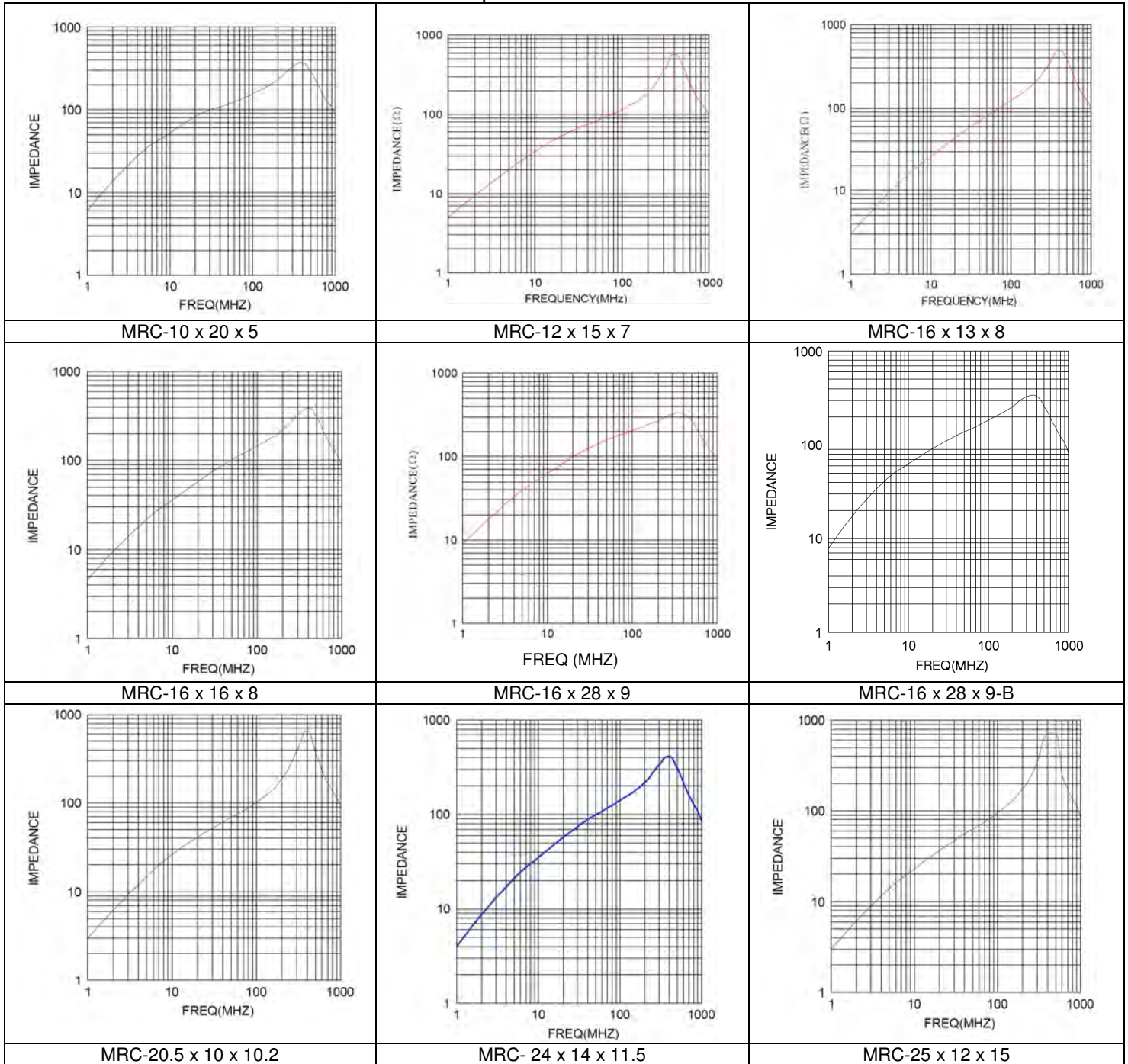


Figure 5



Circular Split Ferrites for Round Cables (MRC Series), Cont.

Impedance Charts



Circular Split Ferrites for Round Cables (MRC Series), Cont.

