

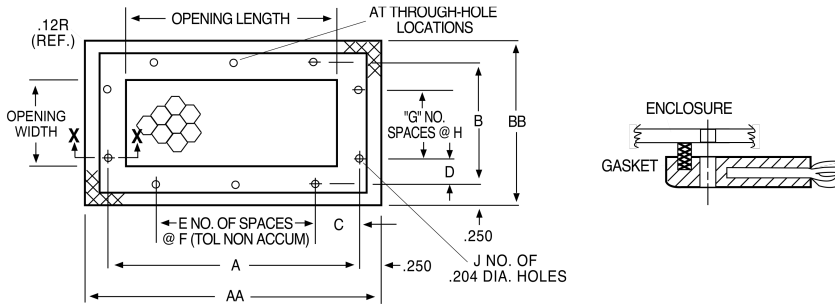
# Slim Line Ventilation Panels

MAJR's Slim Line air ventilation panels offer a slim profile that is ideal for accommodating critical space limitations at air intake and exhaust aperture locations. The frame features an installed wire mesh gasket for EMI shielding at the mounting interface. MAJR offers a variety of standard Slim Line panel product sizes to choose from as well as a custom designed option for more unique requirements.

Slim Line air ventilation panels provides attenuation from 1 MHz through 18 GHz with an ultra light construction made from a tightly woven wire mesh media that is captured in a slim extruded aluminum frame.



**Figure 6 - Style 3038**  
Slim Line Ventilation Panels



OPENING		Part Number	FRAME DIMENSIONS										
Width	Length		AA	BB	A	B	C	D	E	F	G	H	J
3.00	3.00	3038-30303-xx	4.25	4.25	3.50	3.50	1.75	1.75	—	—	—	—	4
3.00	5.00	3038-30305-xx	6.25	4.25	5.50	3.50	1.00	1.75	1	3.50	—	—	6
3.00	11.00	3038-30311-xx	12.25	4.25	11.50	3.50	1.25	1.75	3	3.00	—	—	10
4.00	4.00	3038-30404-xx	5.25	5.25	4.50	4.50	.750	2.25	1	3.00	—	—	6
4.00	9.00	3038-30409-xx	10.25	5.25	9.50	4.50	1.25	2.25	2	3.50	—	—	8
5.00	5.00	3038-30505-xx	6.25	6.25	5.50	5.50	1.00	1.00	1	3.50	1	3.50	8
5.00	11.00	3038-30511-xx	12.25	6.25	11.50	5.50	1.25	1.00	3	3.00	1	3.50	12
6.00	6.00	3038-30606-xx	7.25	7.25	6.50	6.50	1.50	1.50	1	3.50	1	3.50	8
6.00	9.00	3038-30609-xx	10.25	7.25	9.50	6.50	1.25	1.50	2	3.50	1	3.50	10
7.00	14.00	3038-30714-xx	15.25	8.25	14.50	7.50	1.50	1.50	3	3.50	1	3.50	16
9.00	9.00	3038-30909-xx	10.25	10.25	9.50	9.50	1.25	1.25	2	3.50	2	3.50	12
11.00	11.00	3038-31111-xx	12.25	12.25	11.50	11.50	1.25	1.25	3	3.00	3	3.00	16
14.00	14.00	3038-31414-xx	15.25	15.25	14.50	14.50	1.25	1.25	4	3.00	4	3.00	20
18.00	18.00	3038-31818-xx	19.25	19.25	18.50	18.50	1.75	1.75	5	3.00	5	3.00	24

Replace -xx with the following: -57 (Chromate finish) or -90 (RoHS compliant)

## Technical Info

### Shielding Efficiency vs Frequency

Shielding Effectiveness dB

Field	Aluminum – Finish Material Code -57 (chromate) -90 (RoHS)					
	Frequency					
	1 MHz	100 MHz	500 MHz	1 GHz	10 GHz	18 GHz
E	55	75	68	–	–	–
PW	–	–	–	58	30	30

The data in Table 4 shows shielding characteristics for standard MAJR shielded vents. Note that the data indicated is based on a unit whose opening was 12.00 x 12.00 (305 x 305 mm) and tested under laboratory conditions per MIL-STD 285.

### Air Flow Resistance — Figure 1

The low resistance to air flow of MAJR'S shielded honeycomb panels will minimize pressure drop within cabinet, allowing air to move freely through the intake and exhaust to perform the desired cooling function.

The curves in Figure 1 show the resistance per square inch for standard honeycomb vents.

